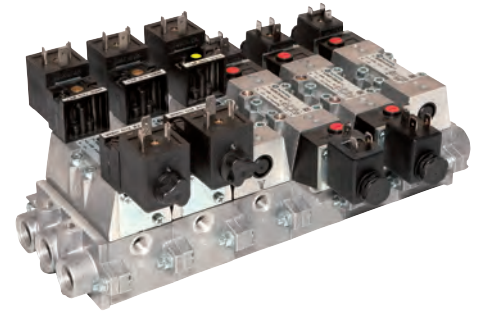


ISO*STAR (SXE, SXP) 5/2 & 5/3

Solenoid and pilot actuated glandless spool valves

- Sub-base mounted, ISO 5599-1 sizes 1, 2 or 3
- Specially coated glandless spool and sleeve for long trouble-free life
- Integral flow regulators available on ISO 1 and 2 sizes for cylinder speed control
- Low power solenoids feature
- Manual override as standard
- Impulse actuated bistable valve with detent mechanism
- Wide range of sub-bases and accessories



Technical features

Medium:

Compressed air, 40 µm filtered, lubricated or non-lubricated

Operation:

Glandless spool valve, solenoid pilot or air pilot actuated

Mounting:

On sub-bases

Sizes:

ISO 1, 2 and 3

Maximum operating pressure:

Solenoid valves; 10 (145 psi) or 16 bar (232 psi)

depending on solenoid pilot operator

Air pilot operated valves; 16 bar (232 psi)

Refer to technical specification table for details

Ambient/Media temperature:

Solenoid pilot actuated valves

-15 ... +50°C (+5 ... 122°F)

Air pilot actuated valves

-15 ... +80°C (+5 ... 176°F)

Air supply must be dry enough

to avoid ice formation at

temperatures below +2°C (+35°F).

Materials:

Body: die-cast aluminium

Spool & sleeve: hard anodised aluminium with special PTFE coating

Seals: NBR

Locking plate: die-cast zinc or steel blue zinc coated

Screws: steel, blue zinc coated

Plastic parts: POM

Flow regulators: brass

Electrical details for solenoid operators

Voltage tolerance	± 10%		
Rating	100% continuous duty		
Inlet orifice	1,0 mm		
Electrical connection (corresponding to chosen coil)	EN 175301-803 - Form A, 30 mm		
	EN 175301-803 - Form B, 22 mm		
	Industrial Standard, 22 mm		
Solenoid coil mounting	Four positions x 90°		
Manual override	End solenoid models	Push and turn to lock (plastic)	# = 0
		Push only (plastic)	# = 1
	CNOMO solenoid models	Push and turn to lock (plastic)	# = 0
		Push only (brass)	# = 1
Protection class	IP 65 (with sealed plug)		

Maximum suggested torque

Valve size	Thread size	Maximum suggested torque
ISO 1	M5	3.1 Nm
ISO 2	M6	3.5 Nm
ISO 3	M8	5.6 Nm

5/2 Solenoid pilot actuated valves - 10 bar solenoid pilot pressure

Symbol	ISO size	Flow regulator	Actuation	Pilot supply	Flow (l/min)	Operating pressure (bar)	Pilot pressure (bar)	Weight (kg)	Drawing No.	Model End solenoid actuated valves	CNOMO solenoid actuated valves
	1	—	Solenoid/air spring	Internal	1230	1 ... 10	—	0,33	1 8 3	SXE9573-A70-0#-*1)	SXE9573-Z70-6#-*1)
	2	—	Solenoid/air spring	Internal	2450	1 ... 10	—	0,59	1 8 3	SXE9574-A70-0#-*1)	SXE9574-Z70-6#-*1)
	3	—	Solenoid/air spring	Internal	4400	1 ... 10	—	0,85	1 8 3	SXE9575-A70-0#-*1)	SXE9575-Z70-6#-*1)
	1	Built-in	Solenoid/air spring	Internal	1230	1 ... 10	—	0,33	1 8 3	SXE9573-A80-0#-*1)	SXE9573-Z80-6#-*1)
	2	Built-in	Solenoid/air spring	Internal	2450	1 ... 10	—	0,59	1 8 3	SXE9574-A80-0#-*1)	SXE9574-Z80-6#-*1)
	1	—	Solenoid/air spring	External *3)	1230	-0,9 ... 16	1 ... 10	0,33	1 8 3	SXE9573-A75-0#-*1)	SXE9573-Z75-6#-*1)
	1	Built-in	Solenoid/air spring	External *3)	1230	-0,9 ... 16	1 ... 10	0,33	1 8 3	SXE9573-A85-0#-*1)	SXE9573-Z85-6#-*1)
	2	—	Solenoid/air spring	External *3)	2450	-0,9 ... 16	1 ... 10	0,59	1 8 3	SXE9574-A75-0#-*1)	SXE9574-Z75-6#-*1)
	3	—	Solenoid/air spring	External *3)	4400	-0,9 ... 16	1 ... 10	0,85	1 8 3	SXE9575-A75-0#-*1)	SXE9575-Z75-6#-*1)
	2	Built-in	Solenoid/air spring	External *3)	2450	-0,9 ... 16	1 ... 10	0,59	1 8 3	SXE9574-A85-0#-*1)	SXE9574-Z85-6#-*1)
	1	—	Solenoid/spring	Internal	1230	1,8 ... 10	—	0,33	1 8 3	SXE9573-A71-0#-*1)	SXE9573-Z71-6#-*1)
	2	—	Solenoid/spring	Internal	2450	1,8 ... 10	—	0,59	1 8 3	SXE9574-A71-0#-*1)	SXE9574-Z71-6#-*1)
	3	—	Solenoid/spring	Internal	4400	1,8 ... 10	—	0,85	1 8 3	SXE9575-A71-0#-*1)	SXE9575-Z71-6#-*1)
	1	Built-in	Solenoid/spring	Internal	1230	1,8 ... 10	—	0,33	1 8 3	SXE9573-A81-0#-*1)	SXE9573-Z81-6#-*1)
	2	Built-in	Solenoid/spring	Internal	2450	1,8 ... 10	—	0,59	1 8 3	SXE9574-A81-0#-*1)	SXE9574-Z81-6#-*1)
	1	—	Solenoid/spring	External *3)	1230	-0,9 ... 16	1,8 ... 10	0,33	1 8 3	SXE9573-A76-0#-*1)	SXE9573-Z76-6#-*1)
	2	—	Solenoid/spring	External *3)	2450	-0,9 ... 16	1,8 ... 10	0,59	1 8 3	SXE9574-A76-0#-*1)	SXE9574-Z76-6#-*1)
	3	—	Solenoid/spring	External *3)	4400	-0,9 ... 16	1,8 ... 10	0,85	1 8 3	SXE9575-A76-0#-*1)	SXE9575-Z76-6#-*1)
	1	Built-in	Solenoid/spring	External *3)	1230	-0,9 ... 16	1,8 ... 10	0,33	1 8 3	SXE9573-A86-0#-*1)	SXE9573-Z86-6#-*1)
	2	Built-in	Solenoid/spring	External *3)	2450	-0,9 ... 16	1,8 ... 10	0,59	1 8 3	SXE9574-A86-0#-*1)	SXE9574-Z86-6#-*1)
	1	—	Solenoid/solenoid	Internal	1230	2 ... 10	—	0,45	2 8 4	SXE0573-A50-0#-*1)	SXE0573-Z50-6#-*1)
	2	—	Solenoid/solenoid	Internal	2450	2 ... 10	—	0,72	2 8 4	SXE0574-A50-0#-*1)	SXE0574-Z50-6#-*1)
	3	—	Solenoid/solenoid	Internal	4400	2 ... 10	—	0,96	2 8 4	SXE0575-A50-0#-*1)	SXE0575-Z50-6#-*1)
	1	Built-in	Solenoid/solenoid	Internal	1230	2 ... 10	—	0,45	2 8 4	SXE0573-A60-0#-*1)	SXE0573-Z60-6#-*1)
	2	Built-in	Solenoid/solenoid	Internal	2450	2 ... 10	—	0,72	2 8 4	SXE0574-A60-0#-*1)	SXE0574-Z60-6#-*1)
	1	—	Solenoid/solenoid	External *3)	1230	-0,9 ... 16	2 ... 10	0,45	2 8 4	SXE0573-A55-0#-*1)	SXE0573-Z55-6#-*1)
	2	—	Solenoid/solenoid	External *3)	2450	-0,9 ... 16	2 ... 10	0,72	2 8 4	SXE0574-A55-0#-*1)	SXE0574-Z55-6#-*1)
	3	—	Solenoid/solenoid	External *3)	4400	-0,9 ... 16	2 ... 10	0,96	2 8 4	SXE0575-A55-0#-*1)	SXE0575-Z55-6#-*1)
	1	Built-in	Solenoid/solenoid	External *3)	1230	-0,9 ... 16	2 ... 10	0,45	2 8 4	SXE0573-A65-0#-*1)	SXE0573-Z65-6#-*1)
	2	Built-in	Solenoid/solenoid	External *3)	2450	-0,9 ... 16	2 ... 10	0,72	2 8 4	SXE0574-A65-0#-*1)	SXE0574-Z65-6#-*1)
	1	—	Solenoid/solenoid *2)	Internal	1230	2 ... 10	—	0,45	2 8 4	—	SXE1573-Z50-6#-*1)
	2	—	Solenoid/solenoid *2)	Internal	2450	2 ... 10	—	0,72	2 8 4	—	SXE1574-Z50-6#-*1)
	3	—	Solenoid/solenoid *2)	Internal	4400	2 ... 10	—	0,96	2 8 4	—	SXE1575-Z50-6#-*1)
	1	—	Solenoid/solenoid *2)	External *3)	1230	-0,9 ... 16	2 ... 10	0,45	2 8 4	—	SXE1573-Z55-6#-*1)
	2	—	Solenoid/solenoid *2)	External *3)	2450	-0,9 ... 16	2 ... 10	0,72	2 8 4	—	SXE1574-Z55-6#-*1)
	3	—	Solenoid/solenoid *2)	External *3)	4400	-0,9 ... 16	2 ... 10	0,96	2 8 4	—	SXE1575-Z55-6#-*1)

Insert code for manual override: 0 = push and turn (standard - End solenoid), 1 = push only

*1) Insert voltage code from tables below or without coil; SXE**7*-A*-00K (end solenoid) or SXE**7*-Z**-6*K (CNOMO solenoid)

*2) Pilot side 14 priority

*3) External pilot supply for ISO1 at port 14 only; ISO2 and ISO3 at port 12 or 14 (unconnected port 12 or 14 has to be plugged).

Voltage codes and spare coils for 10 bar models (End & CNOMO solenoid operator)

22 mm coil for connector interface acc. to industrial standard				
	Voltage	Power Inrush/Hold	Model	Code
	12 V d.c.	2 W	QM/48/12J/21	12J
	24 V d.c.	2 W	QM/48/13J/21	13J
	24 V 50/60 Hz	4/2,5 VA	QM/48/14J/21	14J
	48 V 50/60 Hz	4/2,5 VA	QM/48/16J/21	16J
	110/120 V 50/60 Hz	4/2,5 VA	QM/48/18J/21	18J
	220/240 V 50/60 Hz	6/5,0 VA	QM/48/19J/21	19J

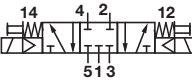
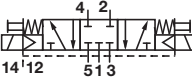
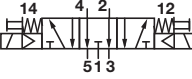
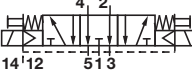
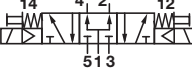
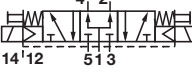
22 mm coil for connector interface acc. EN 175 301-803, form B				
	Voltage	Power Inrush/Hold	Model	Code
	12 V d.c.	2 W	V10626-A12L	12L
	24 V d.c.	2 W	V10626-A13L	13L
	24 V 50/60 Hz	4/2,5 VA	V10626-A14L	14L
	48 V 50/60 Hz	4/2,5 VA	V10626-A16L	16L
	110/120 V 50/60 Hz	4/2,5 VA	V10626-A18L	18L
	220/240 V 50/60 Hz	6/5,0 VA	V10626-A19L	19L

30 mm coil for connector interface acc. EN 175 301-803, form A				
	Voltage	Power Inrush/Hold	Model	Code
	12 V d.c.	1,5 W	V10633-A22N	22N
	24 V d.c.	1,5 W	V10633-A23N	23N
	24 V 50/60 Hz	3/2 VA	V10633-A24N	24N
	48 V 50/60 Hz	3/2 VA	V10633-A26N	26N
	110/120 V 50/60 Hz	3/2 VA	V10633-A28N	28N
	220/240 V 50/60 Hz	3/2 VA	V10633-A29N	29N

Connector plugs - ordered separately

Industrial standard 22 mm 2-pole + PE	22 mm, EN 175301-803 (DIN 43650 B) Form B 2-pole + PE	30 mm, EN 175301-803 (DIN 43650 B) Form A 2-pole + PE
0657868	0680003	0570275

5/3 Solenoid pilot actuated valves - 10 bar solenoid pilot pressure

Symbol	ISO size	Flow regulator	Actuation	Function	Pilot supply	Flow (l/min)	Operating pressure (bar)	Pilot pressure (bar)	Weight (kg)	Drawing No.	Model End solenoid actuated valves	CNOMO solenoid actuated valves
	1	–	Solenoid/solenoid	APB	Internal	1320	2 ... 10	–	0,45	2 & 4	SXE9673-A50-0#-*1)	SXE9673-Z50-6#-*1)
	2	–	Solenoid/solenoid	APB	Internal	2520	2 ... 10	–	0,72	2 & 4	SXE9674-A50-0#-*1)	SXE9674-Z50-6#-*1)
	3	–	Solenoid/solenoid	APB	Internal	4650	2 ... 10	–	0,96	2 & 4	SXE9675-A50-0#-*1)	SXE9675-Z50-6#-*1)
	1	Built-in	Solenoid/solenoid	APB	Internal	1320	2 ... 10	–	0,45	2 & 4	SXE9673-A60-0#-*1)	SXE9673-Z60-6#-*1)
	2	Built-in	Solenoid/solenoid	APB	Internal	2520	2 ... 10	–	0,72	2 & 4	SXE9674-A60-0#-*1)	SXE9674-Z60-6#-*1)
	3	–	Solenoid/solenoid	APB	Internal	4650	2 ... 10	–	0,96	2 & 4	SXE9675-A60-0#-*1)	SXE9675-Z60-6#-*1)
	1	–	Solenoid/solenoid	APB	External *3)	1320	-0,9 ... 16	2 ... 10	0,45	2 & 4	SXE9673-A55-0#-*1)	SXE9673-Z55-6#-*1)
	2	–	Solenoid/solenoid	APB	External *3)	2520	-0,9 ... 16	2 ... 10	0,72	2 & 4	SXE9674-A55-0#-*1)	SXE9674-Z55-6#-*1)
	3	–	Solenoid/solenoid	APB	External *3)	4650	-0,9 ... 16	2 ... 10	0,96	2 & 4	SXE9675-A55-0#-*1)	SXE9675-Z55-6#-*1)
	1	Built-in	Solenoid/solenoid	APB	External *3)	1320	-0,9 ... 16	2 ... 10	0,45	2 & 4	SXE9673-A65-0#-*1)	SXE9673-Z65-6#-*1)
	2	Built-in	Solenoid/solenoid	APB	External *3)	2520	-0,9 ... 16	2 ... 10	0,72	2 & 4	SXE9674-A65-0#-*1)	SXE9674-Z65-6#-*1)
	3	–	Solenoid/solenoid	APB	External *3)	4650	-0,9 ... 16	2 ... 10	0,96	2 & 4	SXE9675-A65-0#-*1)	SXE9675-Z65-6#-*1)
	1	–	Solenoid/solenoid	COE	Internal	1320	2 ... 10	–	0,45	2 & 4	SXE9773-A50-0#-*1)	SXE9773-Z50-6#-*1)
	2	–	Solenoid/solenoid	COE	Internal	2520	2 ... 10	–	0,72	2 & 4	SXE9774-A50-0#-*1)	SXE9774-Z50-6#-*1)
	3	–	Solenoid/solenoid	COE	Internal	4650	2 ... 10	–	0,96	2 & 4	SXE9775-A50-0#-*1)	SXE9775-Z50-6#-*1)
	1	Built-in	Solenoid/solenoid	COE	Internal	1320	2 ... 10	–	0,45	2 & 4	SXE9773-A60-0#-*1)	SXE9773-Z60-6#-*1)
	2	Built-in	Solenoid/solenoid	COE	Internal	2520	2 ... 10	–	0,72	2 & 4	SXE9774-A60-0#-*1)	SXE9774-Z60-6#-*1)
	3	–	Solenoid/solenoid	COE	Internal	4650	2 ... 10	–	0,96	2 & 4	SXE9775-A60-0#-*1)	SXE9775-Z60-6#-*1)
	1	–	Solenoid/solenoid	COE	External *3)	1320	-0,9 ... 16	2 ... 10	0,45	2 & 4	SXE9773-A55-0#-*1)	SXE9773-Z55-6#-*1)
	2	–	Solenoid/solenoid	COE	External *3)	2520	-0,9 ... 16	2 ... 10	0,72	2 & 4	SXE9774-A55-0#-*1)	SXE9774-Z55-6#-*1)
	3	–	Solenoid/solenoid	COE	External *3)	4650	-0,9 ... 16	2 ... 10	0,96	2 & 4	SXE9775-A55-0#-*1)	SXE9775-Z55-6#-*1)
	1	Built-in	Solenoid/solenoid	COE	External *3)	1320	-0,9 ... 16	2 ... 10	0,45	2 & 4	SXE9673-A65-0#-*1)	SXE9773-Z65-6#-*1)
	2	Built-in	Solenoid/solenoid	COE	External *3)	2520	-0,9 ... 16	2 ... 10	0,72	2 & 4	SXE9674-A65-0#-*1)	SXE9774-Z65-6#-*1)
	3	–	Solenoid/solenoid	COE	External *3)	4650	-0,9 ... 16	2 ... 10	0,96	2 & 4	SXE9675-A65-0#-*1)	SXE9775-Z65-6#-*1)
	1	–	Solenoid/solenoid	COP	Internal	1320	2 ... 10	–	0,45	2 & 4	SXE9873-A50-0#-*1)	SXE9873-Z50-6#-*1)
	2	–	Solenoid/solenoid	COP	Internal	2520	2 ... 10	–	0,72	2 & 4	SXE9874-A50-0#-*1)	SXE9874-Z50-6#-*1)
	3	–	Solenoid/solenoid	COP	Internal	4650	2 ... 10	–	0,96	2 & 4	SXE9875-A50-0#-*1)	SXE9875-Z50-6#-*1)
	1	Built-in	Solenoid/solenoid	COP	Internal	1320	2 ... 10	–	0,45	2 & 4	SXE9873-A60-0#-*1)	SXE9873-Z60-6#-*1)
	2	Built-in	Solenoid/solenoid	COP	Internal	2520	2 ... 10	–	0,72	2 & 4	SXE9874-A60-0#-*1)	SXE9874-Z60-6#-*1)
	3	–	Solenoid/solenoid	COP	Internal	4650	2 ... 10	–	0,96	2 & 4	SXE9875-A60-0#-*1)	SXE9875-Z60-6#-*1)
	1	–	Solenoid/solenoid	COP	External *3)	1320	-0,9 ... 16	2 ... 10	0,45	2 & 4	SXE9873-A55-0#-*1)	SXE9873-Z55-6#-*1)
	2	–	Solenoid/solenoid	COP	External *3)	2520	-0,9 ... 16	2 ... 10	0,72	2 & 4	SXE9874-A55-0#-*1)	SXE9874-Z55-6#-*1)
	3	–	Solenoid/solenoid	COP	External *3)	4650	-0,9 ... 16	2 ... 10	0,96	2 & 4	SXE9875-A55-0#-*1)	SXE9875-Z55-6#-*1)
	1	Built-in	Solenoid/solenoid	COP	External *3)	1320	-0,9 ... 16	2 ... 10	0,45	2 & 4	SXE9873-A65-0#-*1)	SXE9873-Z65-6#-*1)
	2	Built-in	Solenoid/solenoid	COP	External *3)	2520	-0,9 ... 16	2 ... 10	0,72	2 & 4	SXE9874-A65-0#-*1)	SXE9874-Z65-6#-*1)
	3	–	Solenoid/solenoid	COP	External *3)	4650	-0,9 ... 16	2 ... 10	0,96	2 & 4	SXE9875-A65-0#-*1)	SXE9875-Z65-6#-*1)

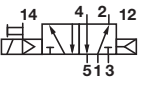
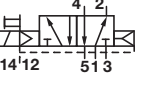
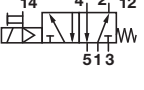
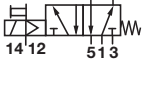

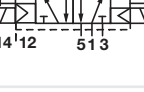
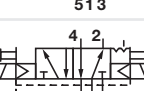
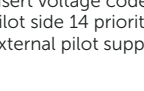
Insert code for manual override: 0 = push and turn (standard - End solenoid), 1 = push only

*1) Insert voltage code from tables below or without coil; SXE**7*-A**-00K (end solenoid) or SXE**7*-Z**-6*K (CNOMO solenoid)

*3) External pilot supply for ISO1 at port 14 only; ISO2 and ISO3 at port 12 or 14 (unconnected port 12 or 14 has to be plugged).

Valve function: APB = All Ports Blocked
COE = Centre Open Exhaust
COP = Centre Open Pressure

5/2 Solenoid pilot actuated valves – 16 bar solenoid solenoid pilot pressure

Symbol	ISO size	Flow regulator	Actuation	Pilot supply	Flow (l/min)	Operating pressure (bar)	Pilot pressure (bar)	Weight (kg)	Drawing No.	Model CNOMO solenoid actuated valves
	1	—	Solenoid/air spring	Internal	1230	1 ... 16	—	0,33	1 & 3	SXE9573-Z70-8#-*1)
	2	—	Solenoid/air spring	Internal	2450	1 ... 16	—	0,59	1 & 3	SXE9574-Z70-8#-*1)
	3	—	Solenoid/air spring	Internal	4400	1 ... 16	—	0,85	1 & 3	SXE9575-Z70-8#-*1)
	1	Built-in	Solenoid/air spring	Internal	1230	1 ... 16	—	0,33	1 & 3	SXE9573-Z80-8#-*1)
	2	Built-in	Solenoid/air spring	Internal	2450	1 ... 16	—	0,59	1 & 3	SXE9574-Z80-8#-*1)
	3	—	Solenoid/air spring	Internal	4400	1 ... 16	—	0,85	1 & 3	SXE9575-Z80-8#-*1)
	1	—	Solenoid/air spring	External *3)	1230	-0,9 ... 16	1 ... 16	0,33	1 & 3	SXE9573-Z75-8#-*1)
	1	Built-in	Solenoid/air spring	External *3)	1230	-0,9 ... 16	1 ... 16	0,33	1 & 3	SXE9573-Z85-8#-*1)
	2	—	Solenoid/air spring	External *3)	2450	-0,9 ... 16	1 ... 16	0,59	1 & 3	SXE9574-Z75-8#-*1)
	3	—	Solenoid/air spring	External *3)	4400	-0,9 ... 16	1 ... 16	0,85	1 & 3	SXE9575-Z75-8#-*1)
	2	Built-in	Solenoid/air spring	External *3)	2450	-0,9 ... 16	1 ... 16	0,59	1 & 3	SXE9574-Z85-8#-*1)
	3	—	Solenoid/air spring	External *3)	4400	-0,9 ... 16	1 ... 16	0,85	1 & 3	SXE9575-Z85-8#-*1)
	1	—	Solenoid/spring	Internal	1230	1,8 ... 16	—	0,33	1 & 3	SXE9573-Z71-8#-*1)
	2	—	Solenoid/spring	Internal	2450	1,8 ... 16	—	0,59	1 & 3	SXE9574-Z71-8#-*1)
	3	—	Solenoid/spring	Internal	4400	1,8 ... 16	—	0,85	1 & 3	SXE9575-Z71-8#-*1)
	1	Built-in	Solenoid/spring	Internal	1230	1,8 ... 16	—	0,33	1 & 3	SXE9573-Z81-8#-*1)
	2	Built-in	Solenoid/spring	Internal	2450	1,8 ... 16	—	0,59	1 & 3	SXE9574-Z81-8#-*1)
	3	—	Solenoid/spring	Internal	4400	1,8 ... 16	—	0,85	1 & 3	SXE9575-Z81-8#-*1)
	1	—	Solenoid/spring	External *3)	1230	-0,9 ... 16	1,8 ... 16	0,33	1 & 3	SXE9573-Z76-8#-*1)
	2	—	Solenoid/spring	External *3)	2450	-0,9 ... 16	1,8 ... 16	0,59	1 & 3	SXE9574-Z76-8#-*1)
	3	—	Solenoid/spring	External *3)	4400	-0,9 ... 16	1,8 ... 16	0,85	1 & 3	SXE9575-Z76-8#-*1)
	1	Built-in	Solenoid/spring	External *3)	1230	-0,9 ... 16	1,8 ... 16	0,33	1 & 3	SXE9573-Z86-8#-*1)
	2	Built-in	Solenoid/spring	External *3)	2450	-0,9 ... 16	1,8 ... 16	0,59	1 & 3	SXE9574-Z86-8#-*1)
	3	—	Solenoid/spring	External *3)	4400	-0,9 ... 16	1,8 ... 16	0,85	1 & 3	SXE9575-Z86-8#-*1)
	1	—	Solenoid/solenoid	Internal	1230	2 ... 16	—	0,45	2 & 4	SXE0573-Z50-8#-*1)
	2	—	Solenoid/solenoid	Internal	2450	2 ... 16	—	0,72	2 & 4	SXE0574-Z50-8#-*1)
	3	—	Solenoid/solenoid	Internal	4400	2 ... 16	—	0,96	2 & 4	SXE0575-Z50-8#-*1)
	1	Built-in	Solenoid/solenoid	Internal	1230	2 ... 16	—	0,45	2 & 4	SXE0573-Z60-8#-*1)
	2	Built-in	Solenoid/solenoid	Internal	2450	2 ... 16	—	0,72	2 & 4	SXE0574-Z60-8#-*1)
	3	—	Solenoid/solenoid	Internal	4400	2 ... 16	—	0,96	2 & 4	SXE0575-Z60-8#-*1)
	1	—	Solenoid/solenoid	External *3)	1230	-0,9 ... 16	2 ... 16	0,45	2 & 4	SXE0573-Z55-8#-*1)
	2	—	Solenoid/solenoid	External *3)	2450	-0,9 ... 16	2 ... 16	0,72	2 & 4	SXE0574-Z55-8#-*1)
	3	—	Solenoid/solenoid	External *3)	4400	-0,9 ... 16	2 ... 16	0,96	2 & 4	SXE0575-Z55-8#-*1)
	1	Built-in	Solenoid/solenoid	External *3)	1230	-0,9 ... 16	2 ... 16	0,45	2 & 4	SXE0573-Z65-8#-*1)
	2	Built-in	Solenoid/solenoid	External *3)	2450	-0,9 ... 16	2 ... 16	0,72	2 & 4	SXE0574-Z65-8#-*1)
	3	—	Solenoid/solenoid	External *3)	4400	-0,9 ... 16	2 ... 16	0,96	2 & 4	SXE0575-Z65-8#-*1)
	1	—	Solenoid/solenoid *2)	Internal	1230	2 ... 16	—	0,45	2 & 4	SXE1573-Z50-8#-*1)
	2	—	Solenoid/solenoid *2)	Internal	2450	2 ... 16	—	0,72	2 & 4	SXE1574-Z50-8#-*1)
	3	—	Solenoid/solenoid *2)	Internal	4400	2 ... 16	—	0,96	2 & 4	SXE1575-Z50-8#-*1)
	1	—	Solenoid/solenoid *2)	External *3)	1230	-0,9 ... 16	2 ... 16	0,45	2 & 4	SXE1573-Z55-8#-*1)
	2	—	Solenoid/solenoid *2)	External *3)	2450	-0,9 ... 16	2 ... 16	0,72	2 & 4	SXE1574-Z55-8#-*1)
	3	—	Solenoid/solenoid *2)	External *3)	4400	-0,9 ... 16	2 ... 16	0,96	2 & 4	SXE1575-Z55-8#-*1)

Insert code for manual override: 0 = push and turn, 1 = push only

*1) Insert voltage code from tables below or without coil; SXE**7*-Z**-8*K

*2) Pilot side 14 priority

*3) External pilot supply for ISO1 at port 14 only; ISO2 and ISO3 at port 12 or 14 (unconnected port 12 or 14 has to be plugged).

Voltage codes and spare coils for 16 bar models

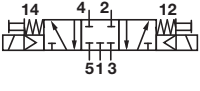
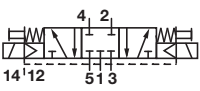
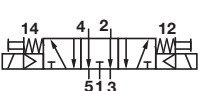
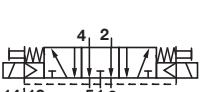
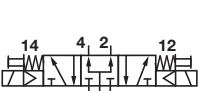
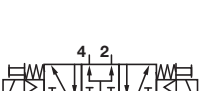
30 mm coil for connector interface acc. acc. EN 175 301-803, form A				
Voltage	Power Inrush/Hold	Model	Code	
12 V d.c.	4 W	V10633-A32N	32N	
24 V d.c.	4 W	V10633-A33N	33N	
110 V d.c.	4 W	V10633-A37N	37N	
24 V a.c.	10/8 VA	V10633-A84N	84N	
110/120 V 50/60 Hz	10/8 VA	V10633-A88N	88N	
220/240 V 50/60 Hz	10/8 VA	V10633-A89N	89N	

Other Voltages available on request.

Connector plug - ordered separately

30 mm, EN 175301-803 (DIN 43650 B) Form A 2-pole + PE	
	0570275

5/3 Solenoid pilot actuated valves – 16 bar solenoid solenoid pilot pressure

Symbol	ISO size	Flow regulator	Actuation	Function	Pilot supply	Flow (l/min)	Operating pressure (bar)	Pilot pressure (bar)	Weight (kg)	Drawing No.	Model CNOMO solenoid actuated valves
	1	–	Solenoid/solenoid	APB	Internal	1320	2 ... 16	–	0,45	2 & 4	SXE9673-Z50-8#-*1)
	2	–	Solenoid/solenoid	APB	Internal	2520	2 ... 16	–	0,72	2 & 4	SXE9674-Z50-8#-*1)
	3	–	Solenoid/solenoid	APB	Internal	4650	2 ... 16	–	0,96	2 & 4	SXE9675-Z50-8#-*1)
	1	Built-in	Solenoid/solenoid	APB	Internal	1320	2 ... 16	–	0,45	2 & 4	SXE9673-Z60-8#-*1)
	2	Built-in	Solenoid/solenoid	APB	Internal	2520	2 ... 16	–	0,72	2 & 4	SXE9674-Z60-8#-*1)
	2	Built-in	Solenoid/solenoid	APB	Internal	2520	2 ... 16	–	0,72	2 & 4	SXE9674-Z60-8#-*1)
	1	–	Solenoid/solenoid	APB	External *3)	1320	-0,9 ... 16	2 ... 16	0,45	2 & 4	SXE9673-Z55-8#-*1)
	2	–	Solenoid/solenoid	APB	External *3)	2520	-0,9 ... 16	2 ... 16	0,72	2 & 4	SXE9674-Z55-8#-*1)
	3	–	Solenoid/solenoid	APB	External *3)	4650	-0,9 ... 16	2 ... 16	0,96	2 & 4	SXE9675-Z55-8#-*1)
	1	Built-in	Solenoid/solenoid	APB	External *3)	1320	-0,9 ... 16	2 ... 16	0,45	2 & 4	SXE9673-Z65-8#-*1)
	2	Built-in	Solenoid/solenoid	APB	External *3)	2520	-0,9 ... 16	2 ... 16	0,72	2 & 4	SXE9674-Z65-8#-*1)
	2	Built-in	Solenoid/solenoid	APB	External *3)	2520	-0,9 ... 16	2 ... 16	0,72	2 & 4	SXE9674-Z65-8#-*1)
	1	–	Solenoid/solenoid	COE	Internal	1320	2 ... 16	–	0,45	2 & 4	SXE9773-Z50-8#-*1)
	2	–	Solenoid/solenoid	COE	Internal	2520	2 ... 16	–	0,72	2 & 4	SXE9774-Z50-8#-*1)
	3	–	Solenoid/solenoid	COE	Internal	4650	2 ... 16	–	0,96	2 & 4	SXE9775-Z50-8#-*1)
	1	Built-in	Solenoid/solenoid	COE	Internal	1320	2 ... 16	–	0,45	2 & 4	SXE9773-Z60-8#-*1)
	2	Built-in	Solenoid/solenoid	COE	Internal	2520	2 ... 10	–	0,72	2 & 4	SXE9774-Z60-8#-*1)
	2	Built-in	Solenoid/solenoid	COE	Internal	2520	2 ... 10	–	0,72	2 & 4	SXE9774-Z60-8#-*1)
	1	–	Solenoid/solenoid	COE	External *3)	1320	-0,9 ... 16	2 ... 16	0,45	2 & 4	SXE9773-Z55-8#-*1)
	2	–	Solenoid/solenoid	COE	External *3)	2520	-0,9 ... 16	2 ... 16	0,72	2 & 4	SXE9774-Z55-8#-*1)
	3	–	Solenoid/solenoid	COE	External *3)	4650	-0,9 ... 16	2 ... 16	0,96	2 & 4	SXE9775-Z55-8#-*1)
	1	Built-in	Solenoid/solenoid	COE	External *3)	1320	-0,9 ... 16	2 ... 16	0,45	2 & 4	SXE9773-Z65-8#-*1)
	2	Built-in	Solenoid/solenoid	COE	External *3)	2520	-0,9 ... 16	2 ... 16	0,72	2 & 4	SXE9774-Z65-8#-*1)
	2	Built-in	Solenoid/solenoid	COE	External *3)	2520	-0,9 ... 16	2 ... 16	0,72	2 & 4	SXE9774-Z65-8#-*1)
	1	–	Solenoid/solenoid	COP	Internal	1320	2 ... 16	–	0,45	2 & 4	SXE9873-Z50-8#-*1)
	2	–	Solenoid/solenoid	COP	Internal	2520	2 ... 16	–	0,72	2 & 4	SXE9874-Z50-8#-*1)
	3	–	Solenoid/solenoid	COP	Internal	4650	2 ... 16	–	0,96	2 & 4	SXE9875-Z50-8#-*1)
	1	Built-in	Solenoid/solenoid	COP	Internal	1320	2 ... 16	–	0,45	2 & 4	SXE9873-Z60-8#-*1)
	2	Built-in	Solenoid/solenoid	COP	Internal	2520	2 ... 16	–	0,72	2 & 4	SXE9874-Z60-8#-*1)
	2	Built-in	Solenoid/solenoid	COP	Internal	2520	2 ... 16	–	0,72	2 & 4	SXE9874-Z60-8#-*1)
	1	–	Solenoid/solenoid	COP	External *3)	1320	-0,9 ... 16	2 ... 16	0,45	2 & 4	SXE9873-Z55-8#-*1)
	2	–	Solenoid/solenoid	COP	External *3)	2520	-0,9 ... 16	2 ... 16	0,72	2 & 4	SXE9874-Z55-8#-*1)
	3	–	Solenoid/solenoid	COP	External *3)	4650	-0,9 ... 16	2 ... 16	0,96	2 & 4	SXE9875-Z55-8#-*1)
	1	Built-in	Solenoid/solenoid	COP	External *3)	1320	-0,9 ... 16	2 ... 16	0,45	2 & 4	SXE9873-Z65-8#-*1)
	2	Built-in	Solenoid/solenoid	COP	External *3)	2520	-0,9 ... 16	2 ... 16	0,72	2 & 4	SXE9874-Z65-8#-*1)
	2	Built-in	Solenoid/solenoid	COP	External *3)	2520	-0,9 ... 16	2 ... 16	0,72	2 & 4	SXE9874-Z65-8#-*1)

Insert code for manual override: 0 = push and turn, 1 = push only

*1) Insert voltage code from tables below or without coil; SXE**7*-Z**-8*K

*3) External pilot supply for ISO1 at port 14 only; ISO2 and ISO3 at port 12 or 14 (unconnected port 12 or 14 has to be plugged).

Valve function: APB = All Ports Blocked
 COE = Centre Open Exhaust
 COP = Centre Open Pressure

Option selector (solenoid actuated valves)

SXE★★7★-★★★-★-★★★

Valve function	Substitute
5/2 Solenoid/solenoid, bistable valve	05
5/2 Solenoid/solenoid, bistable valve with side 14 priority	15
5/2 solenoid/spring, monostable valve	95
5/3 - APB	96
5/3 - COE	97
5/3 - COP	98
ISO size	Substitute
ISO 1	3
ISO 2	4
ISO 3	5
Solenoid position	Substitute
End solenoid actuated valves	A
CNOMO solenoid actuated valves	Z
Integrated flow control	Substitute
Without flow regulator (double solenoid)	5
With flow regulator (double solenoid)	6
Without flow regulator (solenoid & spring)	7
With flow regulator (solenoid & spring)	8

Voltage code for valve with coil	Substitute
For voltage code see tables on page 2 and 4	
Valve without coil	Substitute
Remove dash (-)	K
Manual override	Substitute
Push and turn to lock (standard - End solenoid)	0
Push only	1
Operating pressure	Substitute
10 bar - end solenoid actuated valves	0
10 bar - CNOMO solenoid actuated valves	6
16 bar - CNOMO solenoid actuated valves	8
Pilot supply	Substitute
Internal (double solenoid or single solenoid/air spring)	0
Internal (single solenoid valve, mechanical spring)	1
External (double solenoid or single solenoid/air spring)	5
External (single solenoid valve, mechanical spring)	6

Note: Valves without coil - order coil separately according to voltage tables applicable for the solenoid pilot pressure 10 or 16 bar

5/2 air pilot actuated valves

Symbol	ISO size	Flow regulator	Actuation	Flow (l/min)	Operating pressure (bar)	Pilot pressure (bar)	Weight (kg)	Drawing No.	Model
	1	-	Air/spring	1230	-0,9 ... 16	1,8 ... 16	0,21	5	SXP9573-170-00
	2	-	Air/spring	2450	-0,9 ... 16	1,8 ... 16	0,45	5	SXP9574-170-00
	3	-	Air/spring	4400	-0,9 ... 16	1,8 ... 16	0,72	5	SXP9575-170-00
	1	Built-in	Air/spring	1230	-0,9 ... 16	1,8 ... 16	0,21	5	SXP9573-180-00
	2	Built-in	Air/spring	2450	-0,9 ... 16	1,8 ... 16	0,45	5	SXP9574-180-00
	2	Built-in	Air/spring	2450	-0,9 ... 16	1,8 ... 16	0,45	5	SXP9574-180-00
	1	-	Air/air	1230	-0,9 ... 16	2 ... 16	0,30	6	SXP0573-170-00
	2	-	Air/air	2450	-0,9 ... 16	2 ... 16	0,50	6	SXP0574-170-00
	3	-	Air/air	4400	-0,9 ... 16	2 ... 16	0,72	6	SXP0575-170-00
	1	Built-in	Air/air	1230	-0,9 ... 16	2 ... 16	0,30	6	SXP0573-180-00
	2	Built-in	Air/air	2450	-0,9 ... 16	2 ... 16	0,50	6	SXP0574-180-00
	2	Built-in	Air/air	2450	-0,9 ... 16	2 ... 16	0,50	6	SXP0574-180-00
	1	-	Air/air *2)	1230	-0,9 ... 16	2 ... 16	0,30	6	SXP1573-170-00
	2	-	Air/air *2)	2450	-0,9 ... 16	2 ... 16	0,50	6	SXP1574-170-00
	3	-	Air/air *2)	4400	-0,9 ... 16	2 ... 16	0,72	6	SXP1575-170-00

*2) Pilot side 14 priority

5/3 air pilot actuated valves

Symbol	ISO size	Flow regulator	Actuation	Function	Flow (l/min)	Operating pressure (bar)	Pilot pressure (bar)	Weight (kg)	Drawing No.	Model
	1	-	Air/air	APB	1230	-0,9 ... 16	1,8 ... 16	0,25	6	SXP9673-170-00
	2	-	Air/air	APB	2450	-0,9 ... 16	1,8 ... 16	0,58	6	SXP9674-170-00
	3	-	Air/air	APB	4400	-0,9 ... 16	1,8 ... 16	0,8	6	SXP9675-170-00
	1	Built-in	Air/air	APB	1230	-0,9 ... 16	1,8 ... 16	0,25	6	SXP9673-180-00
	2	Built-in	Air/air	APB	2450	-0,9 ... 16	1,8 ... 16	0,58	6	SXP9674-180-00
	2	Built-in	Air/air	APB	2450	-0,9 ... 16	1,8 ... 16	0,58	6	SXP9674-180-00
	1	-	Air/air	COE	1230	-0,9 ... 16	2 ... 16	0,25	6	SXP9773-170-00
	2	-	Air/air	COE	2450	-0,9 ... 16	2 ... 16	0,58	6	SXP9774-170-00
	3	-	Air/air	COE	4400	-0,9 ... 16	2 ... 16	0,80	6	SXP9775-170-00
	1	Built-in	Air/air	COE	1230	-0,9 ... 16	2 ... 16	0,25	6	SXP9773-180-00
	2	Built-in	Air/air	COE	2450	-0,9 ... 16	2 ... 16	0,58	6	SXP9774-180-00
	2	Built-in	Air/air	COE	2450	-0,9 ... 16	2 ... 16	0,58	6	SXP9774-180-00
	2	-	Air/air	COP	2450	-0,9 ... 16	2 ... 16	0,58	6	SXP9874-170-00
	3	-	Air/air	COP	4400	-0,9 ... 16	2 ... 16	0,80	6	SXP9875-170-00
	1	Built-in	Air/air	COP	1230	-0,9 ... 16	2 ... 16	0,25	6	SXP9873-180-00
	2	Built-in	Air/air	COP	2450	-0,9 ... 16	2 ... 16	0,58	6	SXP9874-180-00
	2	Built-in	Air/air	COP	2450	-0,9 ... 16	2 ... 16	0,58	6	SXP9874-180-00
	2	Built-in	Air/air	COP	2450	-0,9 ... 16	2 ... 16	0,58	6	SXP9874-180-00

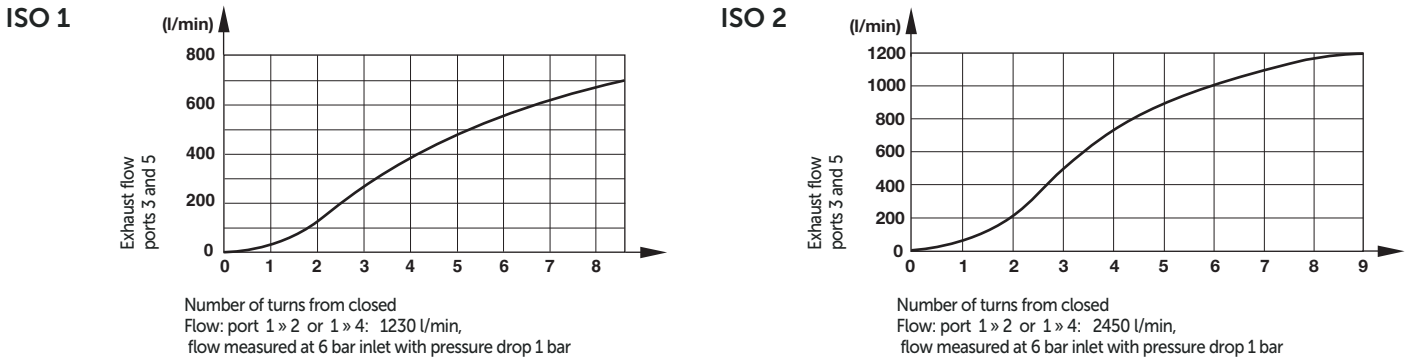
Valve function: APB = All Ports Blocked,
 COE = Centre Open Exhaust,
 COP = Centre Open Pressure

Option selector (air pilot actuated valves)

SXP★7★-1★0-00

Valve function	Substitute	Integrated flow control	Substitute
5/2 pilot/pilot, bistable valve	05	Without	7
5/2 pilot/pilot, bistable valve with side 14 priority	15	With	8
5/2 pilot/spring, monostable valve	95		
5/3 - APB	96		
5/3 - COE	97		
5/3 - COP	98		
ISO size	Substitute		
ISO 1	3		
ISO 2	4		
ISO 3	5		

Exhaust flow characteristics for valves with integral flow regulators



Sub-bases, end plates and blanking disc - VDMA 24345 sub-base options

ISO size	Single station sub-base, Form A side ported		Single station sub-base Form B bottom ported		Modular sub-base Form C		Form D End plates		Blanking disc for VDMA sub-bases *1)	
	ISO G thread	NPT thread	ISO G thread	ISO G thread	ISO G thread	NPT thread	ISO G thread	NPT thread	ISO G thread	NPT thread
1	M/P19126 (1/4)	C/P19126 (1/4)	M/P19125 (1/4)	CQM/22152/3/21	239-238B	CQM/22152/3/22	239-289B	FP 8382	239-251	
2	M/P19132 (3/8)	C/P19132 (3/8)	M/P19131 (3/8)	CQM/22253/3/21	239-242B	CQM/22253/3/22	239-291B	FP 8482	239-252	
3	M/P19138 (1/2)	C/P19138 (1/2)	M/P19137 (1/2)	CQM/22354/3/21	239-246B	CQM/22354/3/22	239-293B	FP 8582	239-253	

Universal sub-base options for ISO G parallel threads only

ISO size	Modular base with side, end and bottom ports open	Universal end plate, all ports blocked	Universal end plate, side ports open	Transition plate from ISO 1 » ISO 2	Blanking disk for ISO 1 and ISO 2
1	CQM/22152/3/27 (G1/4)	CQM/22152/3/28 (G1/4)	CQM/22152/3/31 (G1/4)	CQM/22152/3/29	M/P43173
2	CQM/22253/3/27 (G3/8)	CQM/22253/3/28 (G3/8)	CQM/22253/3/31 (G3/8)	CQM/22152/3/29	M/P43174

Accessories for ISO G parallel and NPT threads

ISO size	Blanking plate for VDMA and universal sub-bases	Transition plate for VDMA sub-bases	Silencer	Sandwich plate with check valves	Flow regulator plate, ports 3 and 5 regulated
1	CQM/22152/3/23	CQM/22152/3/24 (1 » 2)	0015510	FP7050	—
2	CQM/22253/3/23	CQM/22253/3/24 (2 » 3)		—	—
3	CQM/22354/3/23	FP8570 (1 » 3)		FP7070	CQM/22354/3/26

Sandwich plates - ISO size 1

ISO size	Single pressure regulator plate, port 1 regulated	Single pressure regulator plate, port 1 regulated	Single pressure regulator plate, port 2 regulated	Single pressure regulator plate, port 4 regulated	Double pressure regulator plate, port 2 & 4 regulated
1	V71010-KB1 (Regulator on side 14)	V71011-KB1 (Regulator on side 12)	V71012-KB2	V71012-KB3	V71012-KB4

Drawings

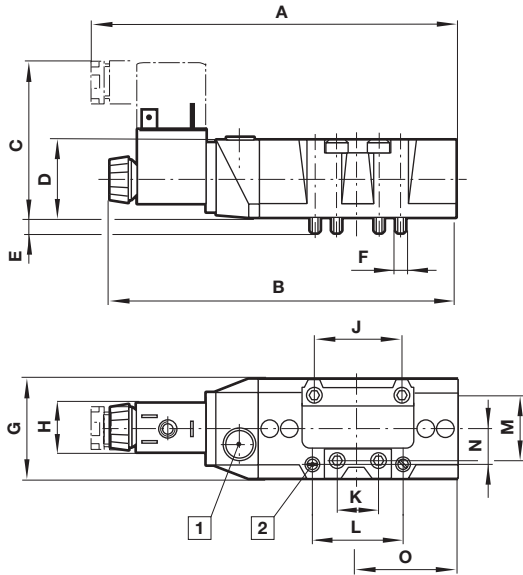
Dimensions in mm
Projection/First angle

SXE 957*-A models Single end solenoid pilot valves

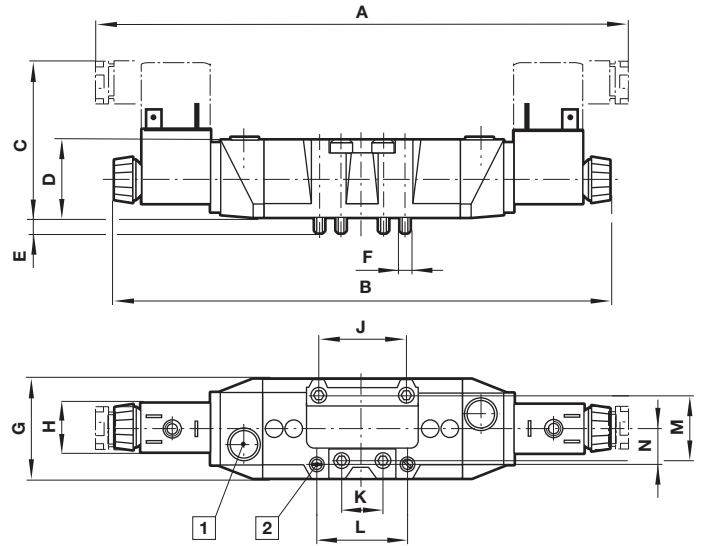
SXE 057*-A and SXE9*7*-A models Double end solenoid pilot valves



①



②



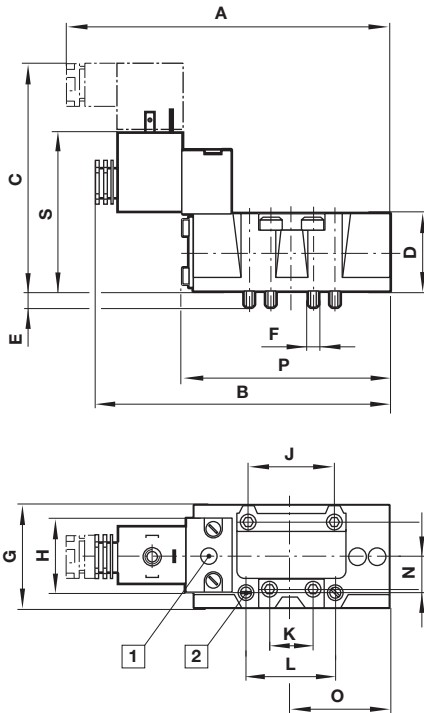
- ① Manual override
- ② Flow regulators

ISO size	A	B	C	D	E	F	G	H	J
1	154	146	66	33	7,5	M5	42	22/30	36
2	181	173	71	42	8	M6	55	22/30	48
3	207,5	197	72	43	11,5	M8	62,5	22/30	64
ISO size	K	L	M	N	O	kg	Model		
1	18	38	28	15	42	0,33	SXE 9573-A...		
2	24	48	38	20	53	0,59	SXE 9574-A...		
3	32	-	48	-	65,5	0,85	SXE 9575-A...		

ISO size	A	B	C	D	E	F	G	H	J
1	222	204	65	33	7,5	M5	42	22/30	36
2	255	239	71	42	8	M6	55	22/30	48
3	284	263	72	43	11,5	M8	62,5	22/30	64
ISO size	K	L	M	N	kg	Model			
1	18	38	28	15	0,45	SXE 0573-A..., SXE 9.73-A...			
2	24	48	38	20	0,72	SXE 0574-A..., SXE 9.74-A...			
3	32	-	48	-	0,96	SXE 0575-A..., SXE 9.75-A...			

SXE 957*-Z models Single CNOMO solenoid pilot valves

3



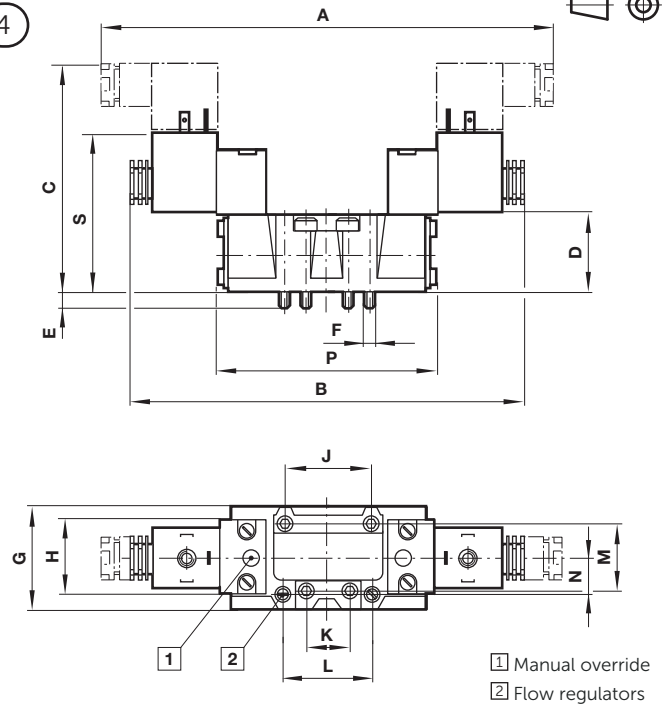
ISO size	A	B	C	D	E	F	G	H	J	K
1	137,5	128	98	33	7,5	M5	42	32	36	18
2	157,5	148	107	42	8	M6	55	32	48	24
3	181	170	108	43	11,5	M8	62,5	32	64	32
ISO size	L	M	N	O	P	S	kg	Model		
1	38	28	15	42	88	62	0,6	SXE 9573-Z...		
2	48	38	20	53	112	71	0,8	SXE 9574-Z...		
3	-	48	-	65,5	135,5	78,5	1,0	SXE 9575-Z...		

SXE 057*-Z and SXE9*7*-Z models Double CNOMO solenoid pilot valves

Dimensions in mm
Projection/First angle



4



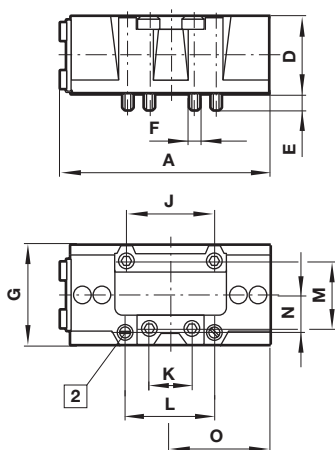
1 Manual override
2 Flow regulators

ISO size	A	B	C	D	E	F	G	H	J	K
1	191	171	89	33	7,5	M5	42	32	36	18
2	208	189	107	42	8	M6	55	32	48	24
3	231	212	108	43	11,5	M8	62,5	32	64	32
ISO size	L	M	N	P	S	kg	Model			
1	38	28	15	92,5	62	1,0	SXE0573-Z..., SXE 9.73-Z...			
2	48	38	20	119	71	1,2	SXE 0574-Z..., SXE 9.74-Z...			
3	-	48	-	140 (142)	78,5	1,4	SXE 0575-Z..., SXE 9.75-Z...			

() for 5/3 way valves

SXP957* models Single air pilot valve

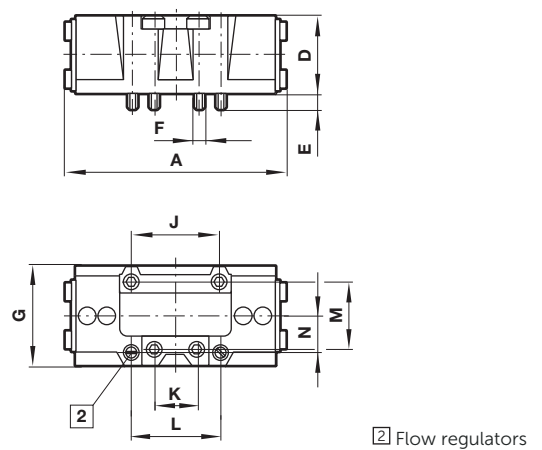
5



ISO size	A	D	E	F	G	J	K
1	88	33	7,5	M5	42	36	18
2	112	42	8	M6	55	48	24
3	135,5	43	11,5	M8	62,5	64	32
ISO size	L	M	N	O	kg	Model	
1	38	28	15	42	0,3	SXP9573-..., SXP*573-...	
2	48	38	20	53	0,5	SXP9574-..., SXP*574-...	
3	-	48	-	65,5	0,7	SXP9575-..., SXP*574-...	

SXP*57*, SXP967*, SXP977* & SXP987* models Double air pilot valve

6



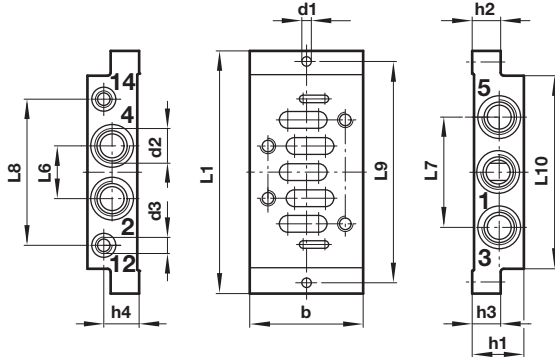
2 Flow regulators

ISO size	A	D	E	F	G	J	K
1	92,5	33	7,5	M5	42	36	18
2	119	42	8	M6	55	48	24
3	140 (142)	43	11,5	M8	62,5	64	32
ISO size	L	M	N	kg	Model		
1	38	28	15	0,3	SXP0573-..., SXP9*73-...		
2	48	38	20	0,5	SXP*574-..., SXP9*74-...		
3	-	48	-	0,7	SXP*575-..., SXP9*75-...		

() for 5/3 way valves

Sub-bases and end plates

VDMA 24345 sub-base options Single station sub-base side ported (Form A) for ISO G and NPT threads



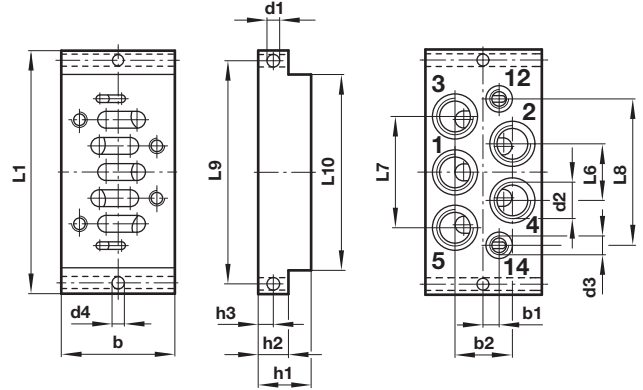
ISO size	b	d1	d2	d3	h1	h2	h3	Model
1	48	5,5	1/4"	1/8"	32	10	10,5 (21,5)	#/P19126
2	57	6,6	3/8"	1/8"	40	13	14 (26)	#/P19132
3	71	6,6	1/2"	1/8"	32	18	179	#/P19138

ISO size	h4	L1	L6	L7	L8	L9	L10	kg	Model
1	23,5	110	24	43	58	98	84	0,16	#/P19126
2	30	124	30	56	74	112	95	0,28	#/P19132
3	22	149	32	68	90	136	119	0,36	#/P19138

() Dimension for ports 3 and 5.
Insert 'M' for ISO G parallel or 'C' for NPT threads

Single station sub-base bottom ported (Form B) for ISO G and NPT threads

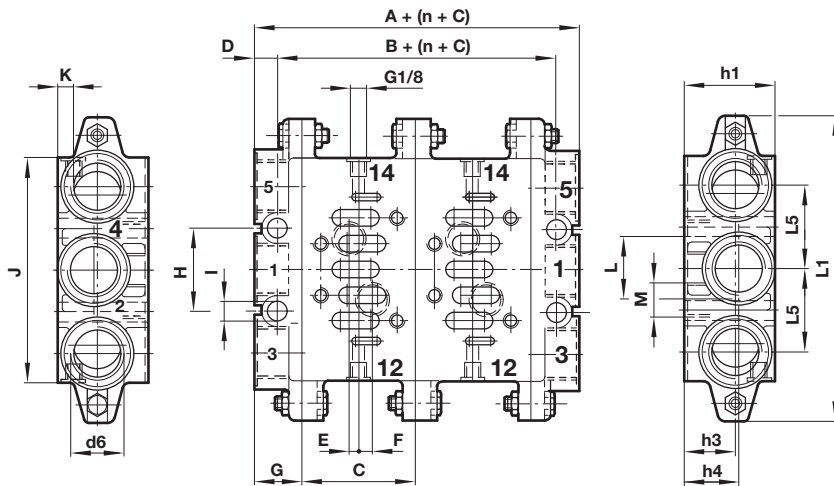
Dimensions in mm
Projection/First angle



ISO size	b	b1	b2	d1	d2	d3	d4	h1	Model
1	46	7	23	5,5	1/4"	1/8"	5,5	30	#/P19125
2	56	8	27	6,6	3/8"	1/8"	6,6	35	#/P19131
3	71	10	34	6,6	1/2"	1/8"	6,69	32	#/P19137

ISO size	h2	h3	L1	L6	L7	L8	L9	L10	kg	Model
1	10	5	110	23	46	62	98	84	0,19	#/P19125
2	13	6,5	124	28	56	73	112	95	0,32	#/P19131
3	18	9	149	34	68	90	136	119	0,40	#/P19137

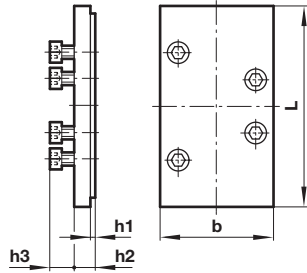
Modular sub-bases (Form C) and end plates (Form D) for ISO G and NPT threads



ISO size	A	B	C	D	E	F	G	H	I	kg	Model ISO G thread	Model NPT thread
1	44	22	43	11	1,5	7,5	22	28	7	0,24	CQM/22152/3/21	239-238B
2	52	26	56	13	5	6	26	35	9	0,36	CQM/22253/3/21	239-242B
3	60	30	71	15	6	8	30	52	12	0,72	CQM/22354/3/21	239-246B

ISO size	J	K	L	M	h1	h3	h4	L1	L5	d6	kg	Model ISO G thread	Model NPT thread
1	85	8,5	26	G1/4	46	21	24	110	28	3/8"	0,22	CQM/22152/3/22	239-289B
2	100	9	30	G3/8	47	22	24	135	28	1/2"	0,34	CQM/22253/3/22	239-291B
3	140	10	38	G1/2	56	31	34	190	52	1"	0,66	CQM/22354/3/22	239-293B

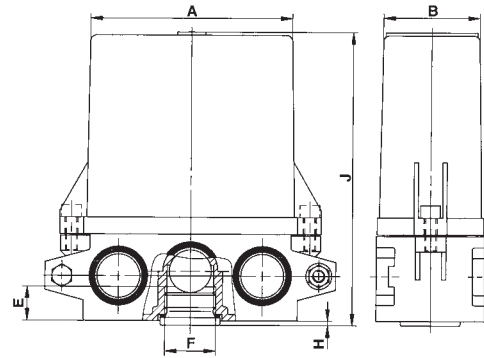
Blanking plate for VDMA & universal sub-bases with ISO G and NPT threads



ISO size	b	L	h1	h2	h3	kg	Model
1	42	80	2	14	11	0,05	CQM/22152/3/23
2	55	85	2,5	12,5	13,5	0,09	CQM/22253/3/23
3	70	106	2,5	12,5	15,5	0,26	CQM/22354/3/23

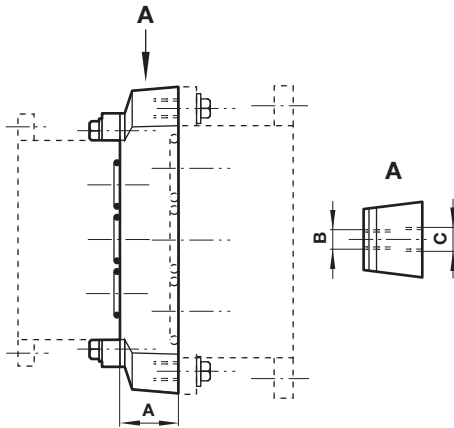
Silencer for VDMA & universal sub-bases with ISO G and NPT threads

Dimensions in mm
Projection/First angle



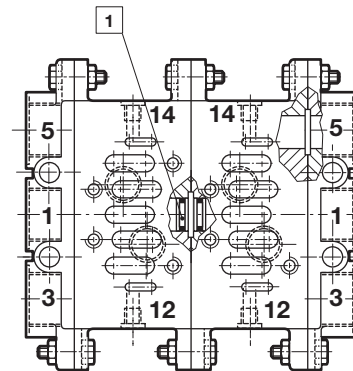
ISO size	A	B	E	F	H	J	Model
1	77	38	15	G3/8	2	122	0015510

Transition plate from ISO 1 » ISO 2, ISO 2 » ISO 3 and ISO1 » ISO 3 for VDMA sub-bases for ISO G and NPT threads



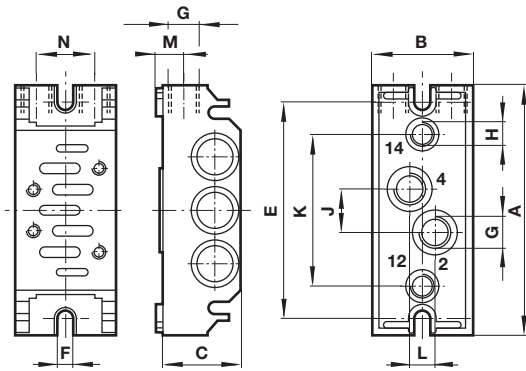
ISO size	A	B	C	kg	Model
1 » 2	25	M5	M6	0,35	CQM/22152/3/24
2 » 3	40	M6	M8	0,65	CQM/22253/3/24
1 » 3	34	M5	M8	0,90	FP8570

Blanking disc FP8382, FP8482 & FP8582 for ISO G thread 239-251, 239-252 & 239-253 for NPT thread



1 Blanking disc; FP8*82 or 239-25*

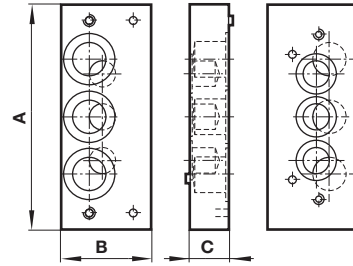
Universal sub-base options for ISO G threads only
Modular base with side, end and bottom ports open



ISO size	A	B	C	E	F	G	H	J	K	L	M	N	kg	Model
1	106	43	36	92	5,5	G1/4	G1/8	18	64	11	12	28	0,16	CQM/22152/3/27
2	120	56	43	102	6,5	G3/8	G1/8	24	68	19	15	38	0,35	CQM/22253/3/27

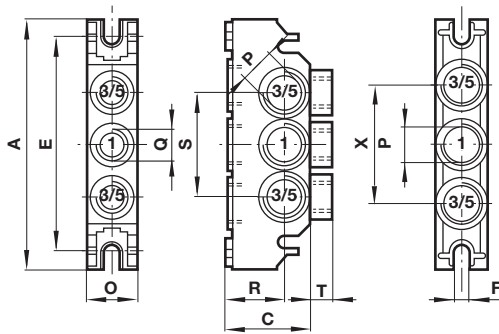
Dimensions in mm
 Projection/First angle

Transition plate from ISO 1 » ISO 2



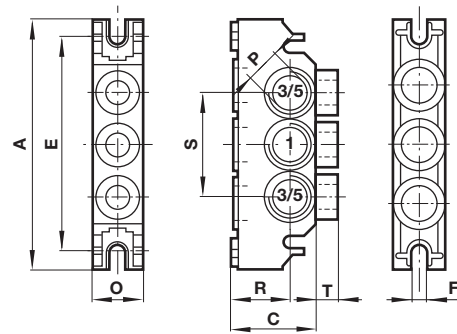
ISO size	A	B	C	kg	Model
1 » 2	114	46	20	0,23	CQM/22152/3/29

Universal end plate, all ports blocked



ISO size	A	C	E	F	O	P	Q	R	S	T	X	kg	Model
1	106	36	92	5,5	22	G3/8	G1/4	25	44	9	50	0,13	CQM/22152/3/28
2	120	46	102	6,5	29	G1/2	G1/4	31	58	7	58	0,23	CQM/22253/3/28

Universal end plate, side ports open



ISO size	A	C	E	F	O	P	R	S	T	kg	Model
1	106	36	92	5,5	22	G3/8	25	44	9	0,13	CQM/22152/3/31
2	120	46	102	6,5	29	G1/2	31	58	7	0,23	CQM/22253/3/31

Drill dimensions for opening ports

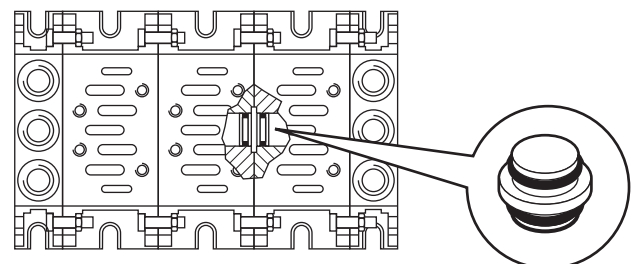
G1/4	Ø 8
G3/8	Ø 15
G1/2	Ø 15

Drill dimensions for opening ports

G1/4	Ø 8
G3/8	Ø 15
G1/2	Ø 15

Blanking disc for ISO 1 and ISO 2 universal sub-bases

ISO size	kg	Model
1	0,01	M/P43173
2	0,03	M/P43174



Sandwich single pressure regulator plate with pressure regulator on port 1

Symbol	ISO size	Regulator on side	Operation	Inlet pressure max. (bar)	Pressure range (bar)	Weight (kg)	Model
	1	14	Membrane pressure regulator with relieving valve	16	0,5 ... 12	0,6	V71010-KB1
	1	12	Membrane pressure regulator with relieving valve	16	0,5 ... 12	0,6	V71011-KB1

Application:
Pressure of port 1 can be regulated individually by using this intermediate plate.

Note:
Adjustment knob has push to lock feature.

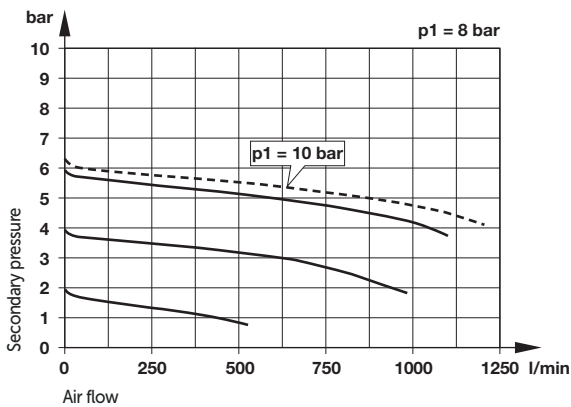
Sandwich single pressure regulator plate with pressure regulator on port 2 or port 4

Symbol	ISO size	Regulated port	Operation	Inlet pressure max. (bar)	Pressure range (bar)	Weight (kg)	Model
	1	2	Membrane pressure regulator with relieving valve	16	0,5 ... 12	0,39	V71012-KB2
	1	4	Membrane pressure regulator with relieving valve	16	0,5 ... 12	0,39	V71012-KB3

Application:
Pressure of port 2 and 4 can be regulated individually by using this intermediate plate.

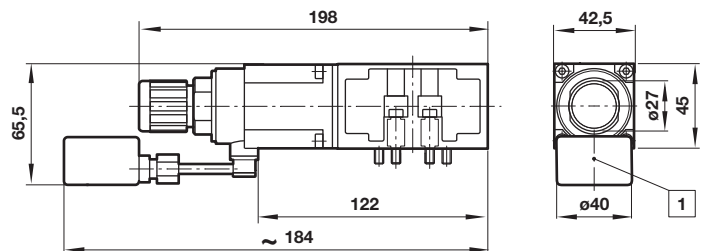
Note:
Adjustment knob has push to lock feature.

Flow characteristics (inlet pressure: 8 bar)



Dimensions:

Dimensions in mm
Projection/First angle



1 Gauge

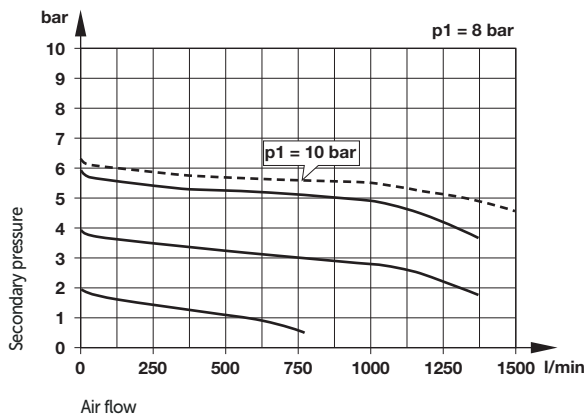
Sandwich double pressure regulator plate with double pressure regulator on port 2 and 4

Symbol	ISO size	Regulated port	Operation	Inlet pressure max. (bar)	Pressure range (bar)	Weight (kg)	Model
	1	2 and 4	Membrane pressure regulator with relieving valve	16	0,5 ... 12	0,39	V71012-KB4

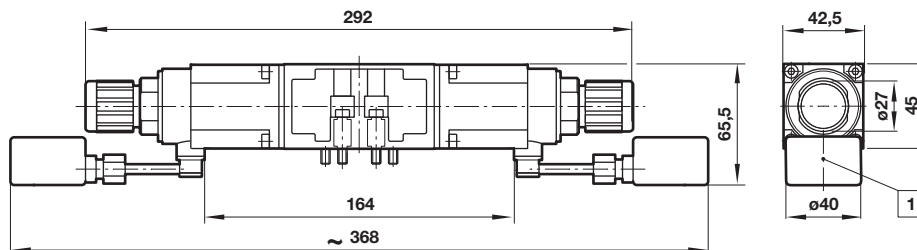
Application:
Pressure of ports 2 and 4 can be regulated individually by using one of the intermediate plates.

Note:
Adjustment knob has push to lock feature.

Flow characteristics (inlet pressure: 8 bar)



Dimensions:



Dimensions in mm
Projection/First angle



1 Gauge

Sandwich plate with check valves

Symbol	ISO size	Design	Flow (l/min)	Operating pressure (bar)	Weight (kg)	Model
	1	Poppet valves	500	3 ... 8	0,45	FP7050
	3	Poppet valves	3400	3 ... 8	2,05	FP7070

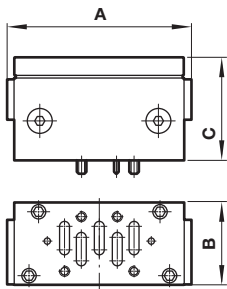
Application:
With this type of intermediate plate together with a 5/3-way valve, center position open, a piston movement can be stopped in any desired position. This position will be kept during a long period.

Note:
Metal to metal sealed spool and sleeve valves have always a small amount of leak because of its design. Therefore 5/3-way valves, center position closed, are only applicable for short stops.

Caution: Not suitable for safety applications!

Dimensions

Dimensions in mm
Projection/First angle



ISO	A	B	C	Model
1	96	42	52	FP7050
3	165	62	95	FP7070

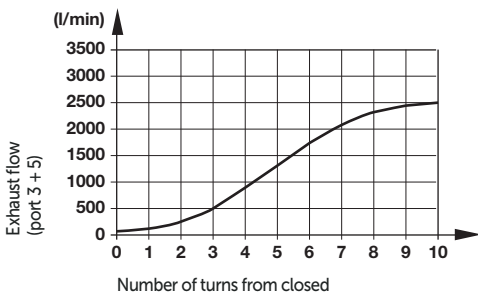
Flow regulator plate

Symbol	ISO size	Regulated port	Operation	Inlet pressure max. (bar)	Weight (kg)	Model
	3	3 and 5	Piston regulator	-0,9 ... 16	0,86	CQM/22354/3/26

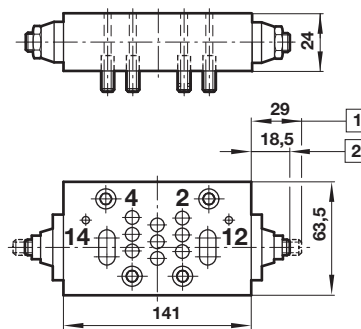
Application:
Regulation of exhaust ports 3 and 5 allows easy cylinder speed control

Note:
The regulator screw can be locked with the lock nut.

Flow characteristics (inlet pressure: 8 bar)



Dimensions



1 Fully open
2 Fully closed

Warning

These products are intended for use in industrial compressed air systems only. Do not use these products where pressures and temperatures can exceed those listed under »Technical features/data«. Before using these products with fluids other than those specified, for non-industrial applications, life-support systems or other applications not within published specifications, consult Norgren Ltd. Through misuse, age, or malfunction, components used in fluid power systems can fail in various modes.

The system designer is warned to consider the failure modes of all component parts used in fluid power systems and to provide adequate safeguards to prevent personal injury or damage to equipment in the event of such failure. System designers must provide a warning to end users in the system instructional manual if protection against a failure mode cannot be adequately provided. System designers and end users are cautioned to review specific warnings found in instruction sheets packed and shipped with these products.